

Console Server + Power Switch

RSM Combo Enclosure Series

Remote Site Power/Console Management

Power Control & Management:

- Single 10 or 15 Amp Power Input Options
- On/Off/Reboot/Default/Load Shed Switching
- Outlet Sequencing & Power Up Delays
- Scheduled Outlet Switching/Reboot
- Ping Watchdog with Auto Reboot
- 4 Switchable NEMA 5-15R or IEC C13 Outlets
- 120 VAC and 240 VAC Models

Serial Console Port Management:

- (2) RS-232 RJ45 Serial Ports
- Break Command Blocking
- SSH/Telnet/Raw-Socket TCP Connection
- Reverse/Outbound SSH
- Non-Connect Port Buffering

Accessibility:

- In Band/Out-of-Band - 10/100Base-T Ethernet Port
- Local Access (RJ45 RS232 SetUp Port)
- Multi-Level Subscriber Directory
- Supports Both IPv6 and IPv4

Security & Authentication:

- SSHv2 Encryption
- Embedded Validated FIPS 140-2 Cryptographic Module
- HTTPS/SSL Secure Web
- Remote Authentication: LDAP/Kerberos/RADIUS/TACACS+
- Port & Plug Specific Password Protection
- SSL Web Browser
- IP Address Filtering

Monitoring / Alarms / Reporting:

- Over-Temperature Alarms
- Lost Communication Alarm
- Ping-No-Answer Alarm (Failed Ping Command)
- Invalid Access Lockout and Alarm (IP Filtering)
- Power Cycle Alarm
- Buffer Threshold Alarm, Time Stamp Port Buffering
- Alarm Notification via Email, SNMP, SYSLOG
- Event and Status Logging Capabilities

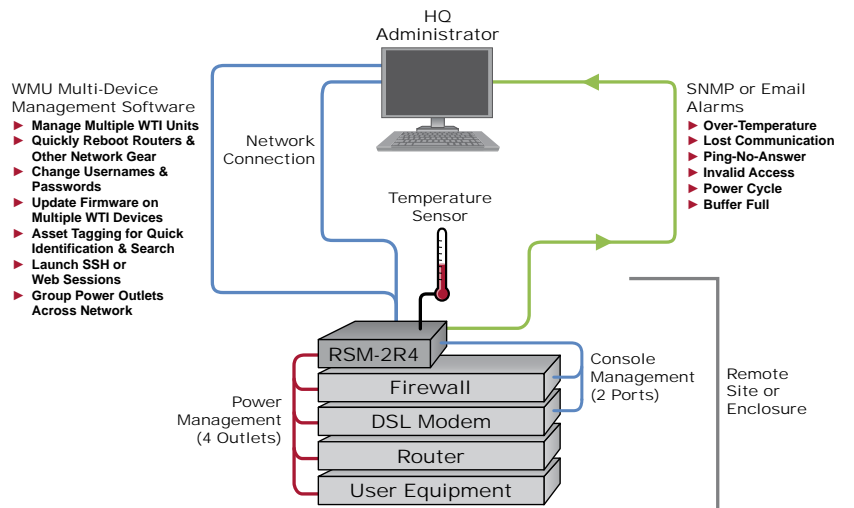
Unit Management:

- SNMP Control, Monitoring and Configuration with Full MIB Support (Supports SNMP Versions 1, 2C and 3)
- Multiple Concurrent SSH Sessions
- Web-Based Graphic User Interface (GUI) plus Command Line Interface (CLI)
- Compatible with WMU - Enterprise Management Software



Model RSM-2R4-1F w/19" Rack Mount Brackets

WTI's RSM Combo Enclosure Series console server + power switches provide system administrators with two vital network management tools in one compact package. Secure, remote power control and console port access management makes the RSM Enclosure Series ideal for branch office applications and other small enclosure systems where rack space is limited. In addition to versatile stand alone or 19" mounting options, the RSM Combo's provide secure, dependable means to control AC power and manage console ports on equipment at remote locations. Off-site and remote network elements can also be monitored with the RSM Combo's alarm functions when significant changes occur and notify network managers via SYSLOG, SNMP Trap or email.





Console Server + Power Switch

RSM Combo Enclosure Series

Model Number	Outlets	Console Ports	AC Voltage	Power Dist. (80% Derated)	Input Feed	Power Cord (Detachable)	Ethernet Port	Dimensions
RSM-2R4-1F	(4) NEMA 5-15R	(2) RJ45	100/120V	1.2/1.4 kW	15 Amp	C13 to NEMA 5-15P, 8'	1	W : 8.2" (20.83 cm) D: 5.75" (14.6 cm)
RSM-2R4-2F	(4) IEC 60320 C13	(2) RJ45	100/240V	.8/1.9 kW	10 Amp	(Sold Separately)	1	H: 1.75" (4.5 cm)

RS232 Ports:	(2) RJ45 Connectors, DTE
Ethernet Port:	10/100 BaseT, RJ45
Operating Temperature:	32°F - 122°F (0°C - 50°C)
Humidity:	10 - 90% RH
Shipping Weight:	4 Lbs (1.8 Kgs)
Approvals:	UL, cUL, CE
Mounting:	Wall Mount + 19" Brackets Included

- ✓ 5 Year Warranty
- ✓ In-House Design & Manufacturing
- ✓ Free Firmware Updates & Support



Enterprise Management



Free with any RSM-2R4 purchase, the WMU is an enterprise software solution which helps manage all your WTI devices from a single platform. Want to change a username or password across all your devices? Quickly reboot or SSH your network gear? Manage everything from firmware to asset tagging and more with an enterprise software solution for your WTI deployment.

- Easily discover all WTI devices by a specific IP or IP range
- Quickly launch SSH sessions to critical equipment
- Reboot troubled routers and other network gear
- Edit WTI usernames & passwords
- Search for devices, outlets, ports or groups across the network
- Assign asset tags to manage and identify WTI inventory
- Manage & upgrade firmware on all WTI devices

Power Control

Simple commands select outlet parameters, control power reboot/switching and view status. Each outlet can be assigned a power-up sequence and delay time, allowing you to power-up outlets in a set order, pausing for a user-specified time between each outlet.

Security and Authentication

User accounts determine which outlets and ports each operator is allowed to control. Powerful SSHv2 encryption ensures that data remains safe from unauthorized view. LDAP, Kerberos, RADIUS, TACACS+, and HTTPS/SSL secure web format provide privacy and authentication.



Model RSM-2R4-2F
(4) IEC-60320-C13 Outlets + (2) Remote Console Ports

Combo Console Server + Power Switch

WTI - Western Telematic, Inc.

5 Sterling • Irvine • California 92618-2517 • Toll Free (800) 854-7226 • Email: info@wti.com • Web: www.wti.com

© Copyright 2013 Western Telematic, Incorporated
RSM2RHY140101