

Switched & Outlet Metered PDU VMR Series



Switched PDU with Per Outlet Power Metering

Power Control & Management:

- Remote Individual or Group Outlet Switching
- On/Off/Reboot/Default/Load Shed Switching
- Outlet Sequencing & Power Up Delays
- User-Defined Power-Up Default Status & Outlet Status Retention
- Plug Naming, Grouping & Access Control
- Scheduled On/Off/Reboot Switching
- Ping Watchdog with Auto Reboot

Metering/Monitoring/Reporting:

- True RMS Current Metering
- Total or Branch Specific Metering
- Reports kWh, kW, Amps, Volts, Temperature
- Over-Current Alarms
- Current High and Low Alarms
- Over-Temperature Alarms
- Lost Voltage (Line In) Alarm
- Ping-No-Answer Alarm
- Invalid Access Lockout Alarm
- Power Cycle Alarm
- Circuit Breaker Open Alarm
- Alarm Notification via Email, SNMP, SYSLOG
- Alarm, Command, Access Audit, Current, Voltage, Watts and Temperature Logging

In-Band/Out-of-Band Access:

- In-Band (10/100/1000Base-T Ethernet Port)
- Out-of-Band (External Modem Ready)
- Local (RJ45 RS232 SetUp Port)
- Supports Both IPv6 and IPv4

Security & Authentication:

- HTTPS, SSHv2, SNMPv3
- Transport Layer Security (TLS) v1.2
- IPsec / OpenVPN
- IPtables
- Two-Factor Authentication: RSA® Ready
- AAA: LDAP/Active Directory/Kerberos/RADIUS/TACACS+
- Embedded Validated FIPS 140-2 Cryptographic Module
- Port-Specific Password Protection
- Invalid Access Lockout & Alarm

Unit Management:

- RESTful Web Services API
- DHCP/FTP/TFTP/SFTP/SCP
- CLI & HTML5 Web-Based GUI
- Compatible with WMU Enterprise Management Software
- Multiple Concurrent SSHv2 Sessions
- Full MIB Support
- NTP for True Server Sync



Model VMR-8HD20-1

It's 3AM...

Do you know what your network gear is doing?

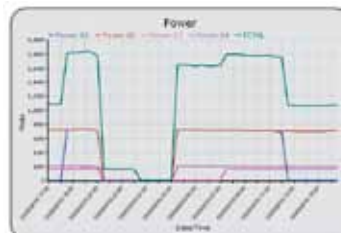
Blade servers, routers and other network devices often behave like children; you can't just walk away, turn your back and expect everything to be OK while you're not looking.

WTI's VMR series outlet metered PDUs can help you keep an eye on your network, and let you know when your equipment is acting up before things get completely out of hand. Knowing is only half the battle though, the VMR also allows you to automatically reboot outlets when an attached device ceases to respond, disable outlets to reduce current consumption or switch on cooling devices to lower rack temperature.

The VMR includes a robust selection of monitoring features, including event alarms, outlet-specific metering and SNMP polling to help you keep tabs on vital network elements, avoid costly service calls and maximize up time.

The VMR can let you know when:

- Rack Temperature is Too High
- An Outlet is On, But the Attached Device is Off
- Your Power Supply has Been Interrupted
- Current Consumption Increases or Decreases
- Excessive Invalid Passwords are Attempted
- Devices Fail to Respond to Ping Commands
- An Outlet Draws Excessive Current
- A Circuit Breaker is Open



Per Outlet Power Data via Web, XML, CSV or ASCII





Switched & Outlet Metered PDU

VMR Series



Model Number	Outlets	AC Voltage 50/60 Hz	Power Distribution	Input Feeds	Power Cord	Circuit Breakers	Dimensions
VMR-8HS20-1	(8) NEMA 5-15R	85/125V	1.4/2 kW*	(1) 20 Amp	Detachable***	(2) 20 Amp	W : 19" (48.3 cm) D: 8.7" (22.1 cm) H: 1.75" (4.5 cm) (1 U)
VMR-8HS20-2	(8) IEC 60320 C13	85/250V	3.2/4 kW*	(1) 20 Amp	Detachable**	(2) 20 Amp	
VMR-8HS16-3	(8) IEC 60320 C13	200/250V	3.2/4 kW	(1) 16 Amp	Detachable**	(2) 16 Amp	
VMR-8HD20-1	(8) NEMA 5-15R	85/125V	2.8/4 kW*	(2) 20 Amp	Detachable***	(2) 20 Amp	
VMR-8HD20-2	(8) IEC 60320 C13	85/250V	6.4/8 kW*	(2) 20 Amp	Detachable**	(2) 20 Amp	
VMR-8HD16-3	(8) IEC 60320 C13	200/250V	6.4/8 kW	(2) 16 Amp	Detachable**	(2) 16 Amp	
VMR-16HD20-1	(16) NEMA 5-15R	85/125V	2.8/4 kW*	(2) 20 Amp	Detachable***	(4) 20 Amp	W: 19" (48.3 cm) D: 8.7" (22.1 cm) H: 3.5" (8.9 cm) (2 U)
VMR-16HD20-2	(16) IEC 60320 C13	85/250V	6.4/8 kW*	(2) 20 Amp	Detachable**	(4) 20 Amp	
VMR-16HD16-3	(16) IEC 60320 C13	200/250V	6.4/8 kW	(2) 16 Amp	Detachable**	(4) 16 Amp	

* 80% Derated ** Sold Separately *** Includes 15 Amp Power Cable

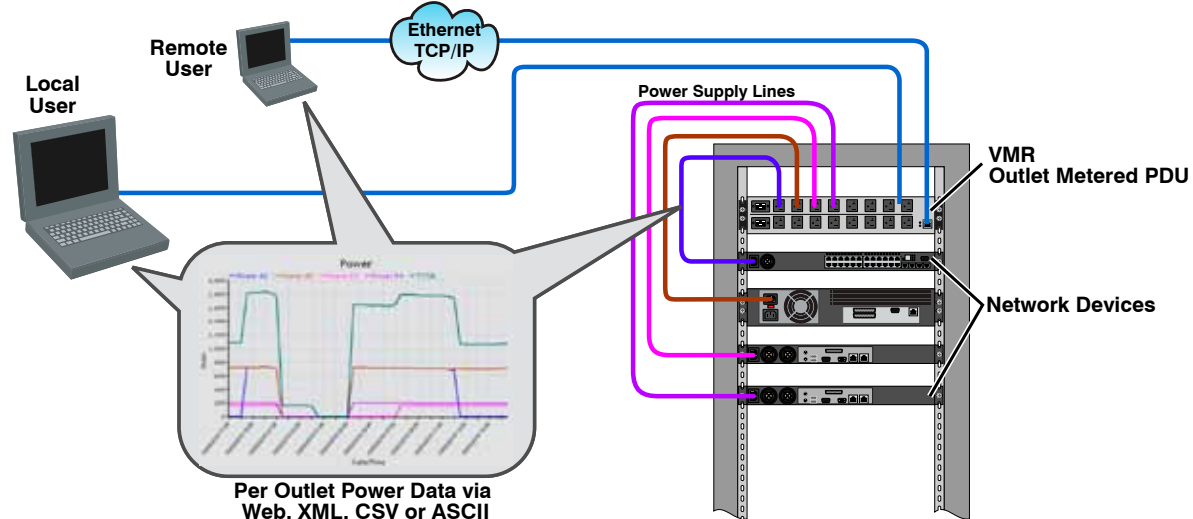
Shipping Weights:	
VMR-8HS20-X	11 Lbs (5 Kgs)
VMR-8HD20-X	11 Lbs (5 Kgs)
VMR-16HD20-X	14 Lbs. (6.36 Kgs)
Operating Temp:	32°F - 122°F (0°C - 50°C)
Humidity:	10 - 90% RH
Ethernet Port:	10/100/1000 BaseT
SetUp Port:	RJ45, RS232C
Approvals:	FCC, UL, CE (230V units)

For More Information:

Call: (800) 854-7226

Or Visit: www.wti.com

- ✓ 5 Year Warranty
- ✓ Stocked for Same Day Shipments
- ✓ In-House Design & Manufacturing
- ✓ Made In USA



Outlet Metered Reboot Switch