

Web Browser Based "Zero U" Power Control

Control Power on Any AC Powered Device ... Via Web Browser, Telnet, Modem or Local Terminal

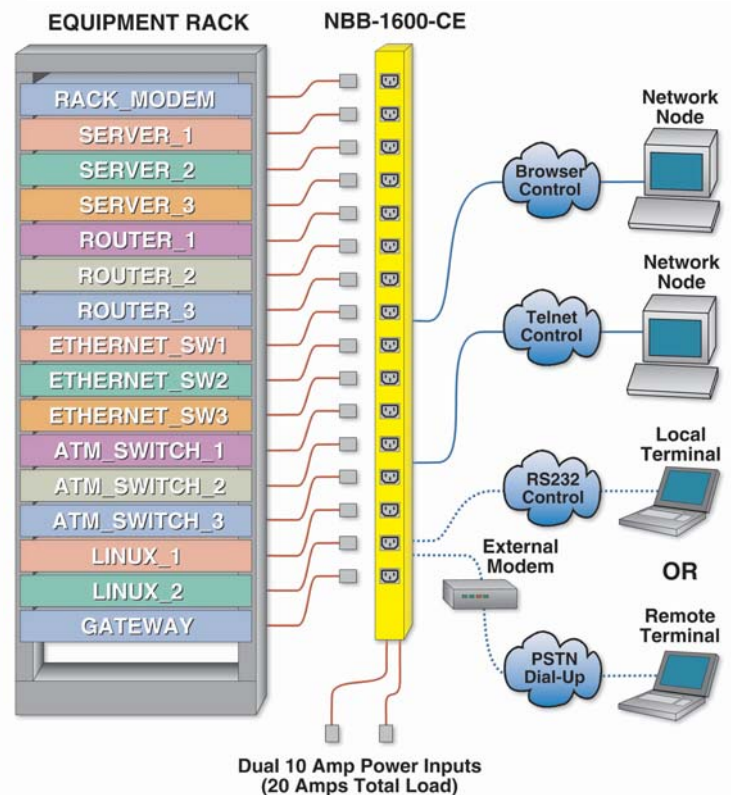
Applications:

- Remote Power Management and Control
- Reboot Servers, Routers, Gateways, Network Switches and Other Remote Devices

Features:

- Web Browser Access for Easy Setup and Operation
- Encrypted Password Security
- Sixteen (16) Individual Outlets
- On / Off / Reboot Switching
- Easily Mounts to Equipment Rack
- Power-Up Sequencing
- Dual 10 Amp, 230 VAC Power Circuits Total 20 Amps Maximum Load
- IP Addressed, 10Base-T Interface
- RS232 Modem / Console Port
- Network Security Features
- Manual Power Control Button

Servers, routers, and other electronic equipment occasionally lock-up, often requiring a service call to a remote site just to flip the power switch to perform a simple reboot. The NBB-1600-CE Network Boot Bar gives you the ability to perform this function from anywhere - just point your browser to the NBB-1600-CE's IP address, enter the secure user name and password, and you're just a click away from remote power On, Off or Reboot!



NBB-1600-CE - Network Boot Bar

Two Convenient User Interfaces

The NBB-1600-CE provides two convenient methods for accessing configuration and switching functions: The Web Browser Interface and the Command Line Interface. The Web Browser Interface consists of a series of simple, easy-to-use web page menus that allow you to select configuration parameters or initiate switching operations using your TCP/IP network and a JavaScript enabled web browser. The Command Line Interface is an ASCII menu system, which allows you to configure and operate the NBB-1600-CE via telnet over TCP/IP network, via modem connection or via local PC using a terminal program such as HyperTerminal or TeraTerm.

Security Features

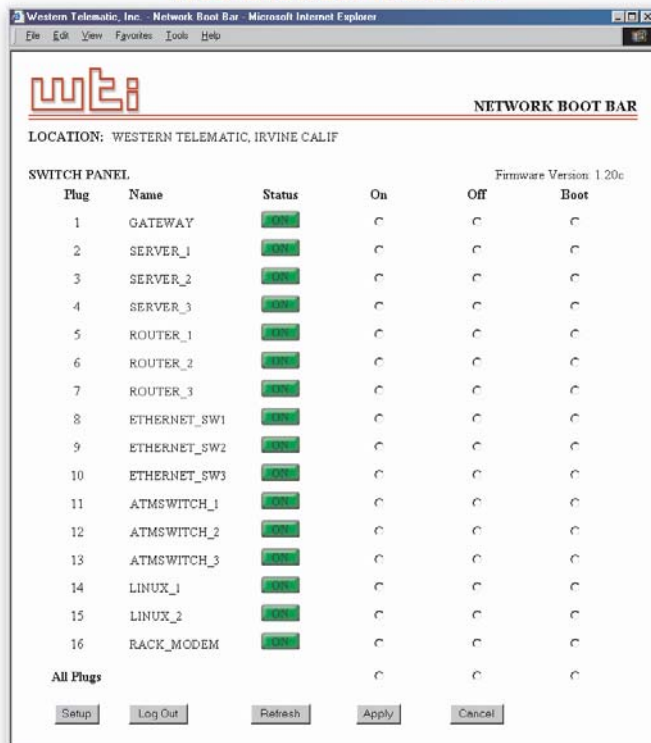
Access to the NBB-1600-CE command mode is password protected to prevent unauthorized users from gaining access to sensitive switching and configuration functions. Both the Web Browser Interface and Command Line Interface require the user to enter a password before allowing access. Passwords transmitted via web browser use 64-bit encryption techniques to ensure that passwords remain protected and access to your equipment remains secure. Telnet control can be user-defined to a discrete TCP port, or completely turned off to ensure that no unprotected port is present.

The NBB-1600-CE also features two different levels of operational passwords: the System Administrator Level and the User Level. The System Level provides access to all configuration and switching functions, while the User Level is limited to switching functions only.

Easy to Configure, Easy to Use

The NBB-1600-CE can be configured via network, via modem, or locally via the serial console port. Easy to master, user-friendly menus and commands let you assign a location name, set system parameters and view plug status. Outlets can be switched On, Off, or booted using plug numbers or names.

Web Browser Interface



Specifications:

Power Input/Output

AC Inputs: Two Separate Circuits;
10 Amps Max. per Circuit
Voltage: 105 - 240 VAC, 50/60 Hz
Connectors: Two (2) IEC-60320-C14 Inlets,
Line Cords Supplied
AC Outputs: Sixteen (16) Plugs, Split Into
Two 10 Amp Circuits
Connectors: Sixteen (16) IEC-60320
Outlets
Load:
Circuit "A" (Plugs 1 to 8) 10 Amps Total
Circuit "B" (Plugs 9 to 16) 10 Amps Total

Console/Modem Port Interface

Connector: DB9M, RS232C, DTE
Coding: Serial ASCII, 8 Bits, No Parity,
7 Bit, Odd/Even, 300 bps to 38.4 Kbps

Physical/Environmental

Size:
Length: 43.75" (111.1 cm)
Depth: 3.00" (7.6 cm)
Width: 2.13" (5.4 cm)
Weight: 10 lbs. Shipping Weight
Temperature: (Operating) 32°F to 122°F
(0°C to 50°C)
Humidity: 10 to 90% RH



western telematic incorporated

5 Sterling • Irvine • California 92618-2517

TOLL FREE 800-854-7226
TEL (949) 586-9950
FAX (949) 583-9514
EMAIL info@wti.com
WEB www.wti.com