

# RPC-4850 Series

---

Heavy Duty DC Network Power Switches

## Quick Start Guide





## Warnings and Cautions: Installation Instructions



### **Secure Racking**

---

If Secure Racked units are installed in a closed or multi-unit rack assembly, they may require further evaluation by Certification Agencies. The following items must be considered.

1. The ambient within the rack may be greater than room ambient. Installation should be such that the amount of air flow required for safe operation is not compromised. The maximum temperature for the equipment in this environment is 45°C. Consideration should be given to the maximum rated ambient.
2. Installation should be such that a hazardous stability condition is not achieved due to uneven loading.

### **Input Supply**

---

Check nameplate ratings to assure there is no overloading of supply circuits that could have an effect on overcurrent protection and supply wiring.

### **Grounding**

---

Reliable earthing of this equipment must be maintained. Particular attention should be given to supply connections when connecting to power strips, rather than direct connections to the branch circuit.

### **No Serviceable Parts Inside; Authorized Service Personnel Only**

---

Do not attempt to repair or service this device yourself. Internal components must be serviced by authorized personnel only.

- **Shock Hazard - Do Not Enter**

### **Disconnect Power**

---

If any of the following events are noted, immediately disconnect the unit from the circuit and contact qualified service personnel:

1. If the power cord becomes frayed or damaged.
2. If liquid has been spilled into the device or if the device has been exposed to rain or water.

### **Two Power Supplies**

---

Note that this unit includes two separate power circuits. Before attempting to service or remove this unit, please make certain that both power sources are disconnected.

# 1. Introduction

---

This Quick Start Guide describes a simplified installation procedure for the RPC-4850 Series hardware, which will allow you to communicate with the unit in order to demonstrate basic features and check for proper operation. Note that this Quick Start Guide does not provide a detailed description of unit configuration or discuss advanced operating features in detail. For more information, please refer to the User's Guide, which can be found on our web site at the address below, or by scanning the QR Code to the right.



<http://www.wti.com/uguides>

# 2. Hardware Installation

---

## Apply Power to the RPC

Refer to power rating nameplate on the back panel, and then connect the RPC unit to an appropriate power source as shown in Figure 1 or Figure 2.

The RPC features two separate DC inputs; connect power cables to the unit's Circuit "A" and/or Circuit "B" terminal blocks, then connect the cables to an appropriate power supply. Note that it is not necessary to connect power to both input circuits; either circuit will supply power for operation and control functions. However, when power is connected to both circuits, this allows the second circuit to function as a back-up in the event of a power outage.

Note that each individual output circuit will support up to 15 Amps maximum, and that the total for all eight circuits cannot exceed 50 Amps.

The ON LED should light, and the RDY LED should begin to flash. This indicates that the RPC is ready to receive commands.

## Connect your PC to the RPC

The RPC can either be controlled by a local PC, that communicates with the unit via cable, controlled via external modem, or controlled via TCP/IP network. In order to switch circuits On/Off or select parameters, commands are issued to the RPC via either the Network Port or Console Port. Note that it is not necessary to connect to both the Network and Console Ports, and that the Console Port can be connected to either a local PC or External Modem.

- **Network Port:** Connect your 10Base-T or 100Base-T network interface to the RPC Network port.
- **Console Port:** Use the null modem cable supplied with the unit to connect your PC COM port to the RPC Console (RS232) Port.
- **External Modem:** Use a standard AT or modem cable to connect your external modem to the RPC's Console (RS232) Port.

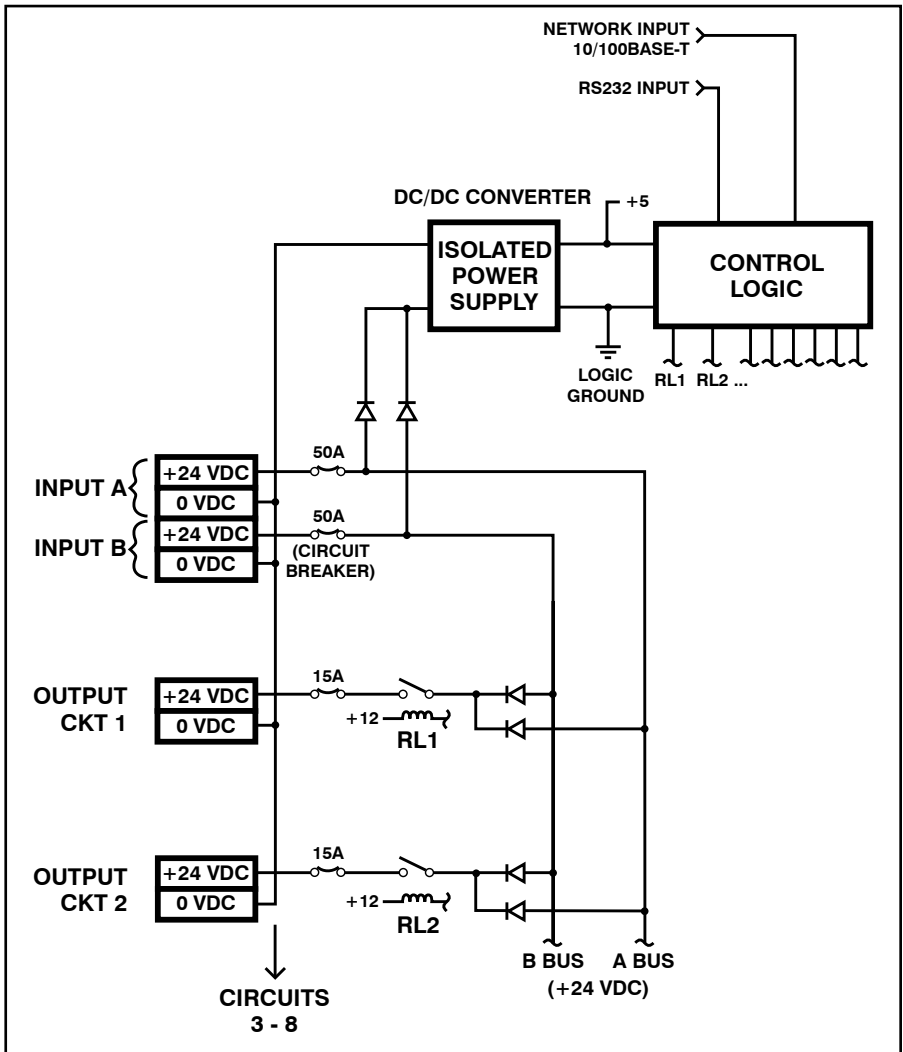


Figure 1: RPC-4850-24V; Block Diagram

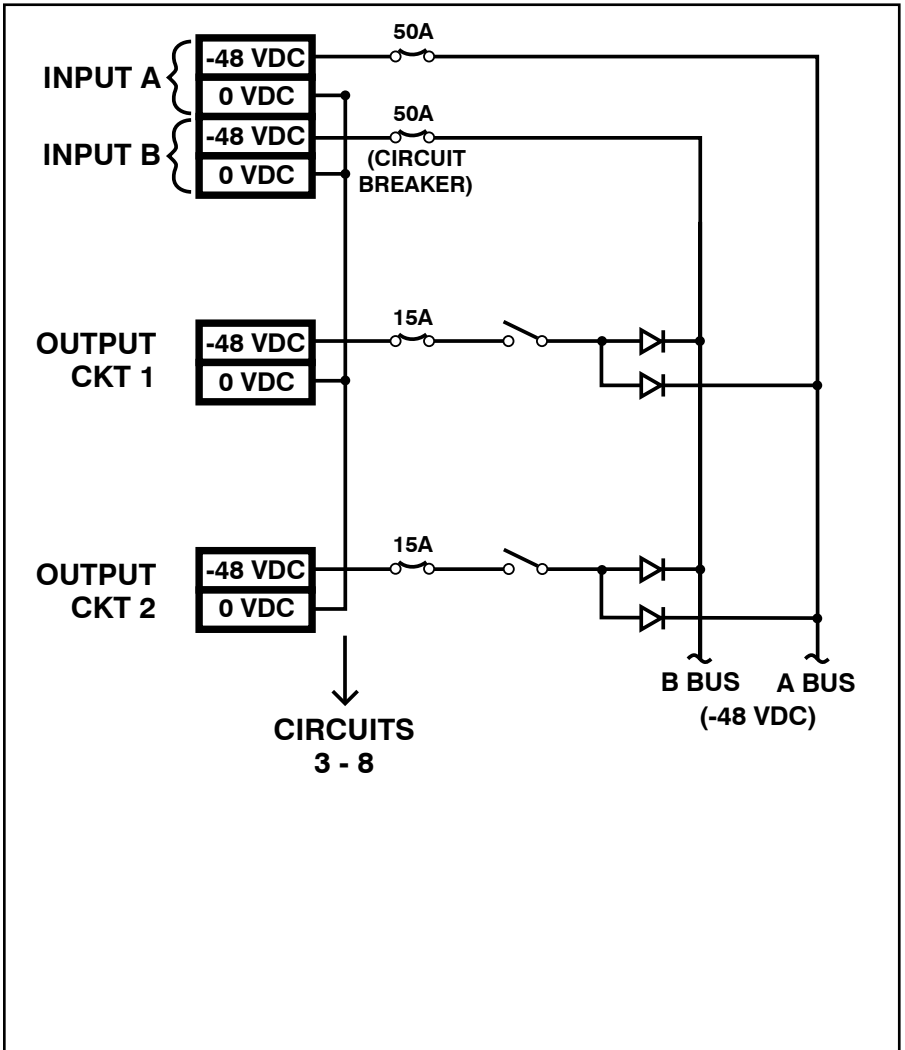


Figure 2: RPC-4850-48V; Block Diagram

### 3. Communicating with the RPC

---

In order to ensure security, both Telnet and Web Browser Access are disabled when the RPC is shipped from the factory. To enable Telnet and/or Web Browser access, please refer to the RPC User's Guide. When properly installed and configured, the RPC will allow command mode access via Telnet, Web Browser, SSH client, modem, or local PC.

#### Notes:

- Default RPC serial port parameters are set as follows: 9600 bps, RTS/CTS Handshaking, 8 Data Bits, One Stop Bit, No Parity. Although these parameters can be easily redefined, for this Quick Start procedure, it is recommended to configure your communications program to accept the default parameters.
- The RPC features a default IP Address (192.168.168.168) and a default Subnet Mask (255.255.255.0.) This allows network access to command mode, providing that you are contacting the RPC from a node on the same subnet. When attempting to access the RPC from a node that is *not* on the same subnet, please refer to the User's Guide for further configuration instructions.

1. **Access Command Mode:** The RPC includes two separate user interfaces; the Text Interface and the Web Browser Interface. The Text Interface is available via Local PC, SSH Client, Telnet, or Modem. The Web Browser interface is only available via TCP/IP network.
  - a) **Via Local PC:** Start your communications program and then press **[Enter]**.
  - b) **Via SSH Client:** Start your SSH client, enter the default IP address (192.168.168.168) for the RPC and invoke the connect command.
  - c) **Via Web Browser:** Make certain that Web Browser access is enabled as described in the RPC User's Guide. Start your JavaScript enabled Web Browser, enter the default RPC IP address (192.168.168.168) in the Web Browser address bar, and then press **[Enter]**.
  - d) **Via Telnet:** Make certain that Telnet access is enabled as described in the RPC User's Guide. Start your Telnet client, and enter the RPC's default IP address (192.168.168.168).
  - e) **Via Modem:** Make certain that the RPC Console Port has been configured for Modem Mode as described in the RPC User's Guide, then use your communications program to dial the number for the external Modem connected to the Setup Port.
2. **Username / Password Prompt:** A message will be displayed, which prompts you to enter your username and password.. The default username is "**super**" (all lower case, no quotes), and the default password is also "**super**". If a valid username and password are entered, the RPC will display either the Circuit Control Screen (Web Browser Interface) or the Circuit Status Screen (SSH, Telnet, or Modem).

3. **Test Switching Functions:** You may wish to perform the following tests in order to make certain that the RPC is responding to commands. When switching and reboot commands are executed, the Status LED(s) will also turn On or Off to indicate the current status of the circuit(s).
  - a) **Reboot Circuit:**
    - i. **Web Browser Interface:** Click on the "Circuit Control" link on the left hand side of the screen to display the Circuit Control Menu. From the Circuit Control Menu, click the down arrow in the row for Circuit 1 to display the dropdown menu, then select "Reboot" from the drop down menu and click on the "Execute Actions" button.
    - ii. **Text Interface:** Type `/BOOT 1` and press **[Enter]**.
  - b) **Switch Circuit Off:**
    - i. **Web Browser Interface:** From the Circuit Control Menu, click the down arrow in the "Action" column for Circuit 1 to display the drop down menu, then select "Off" from the drop down menu and click on the "Execute Actions" button.
    - ii. **Text Interface:** Type `/OFF 1` and press **[Enter]**.
  - c) **Switch Circuit On:**
    - i. **Web Browser Interface:** From the Circuit Control Menu, click the down arrow in the "Action" column for Circuit 1 to display the drop down menu, then select "On" from the drop down menu and click on the "Execute Actions" button.
    - ii. **Text Interface:** Type `/ON A1` and press **[Enter]**.

This completes the Quick Start Guide for the RPC-4850. Prior to placing the unit into operation, it is recommended to refer to the RPC User's Guide for important information regarding advanced configuration capabilities and more detailed operation instructions. If you have further questions regarding the RPC unit, please contact WTI Customer Support as described in the User's Guide.



---

5 Sterling • Irvine • California 92618  
(949) 586-9950 • Toll Free: 1-800-854-7226  
Fax: (949) 583-9514 • <http://www.wti.com>