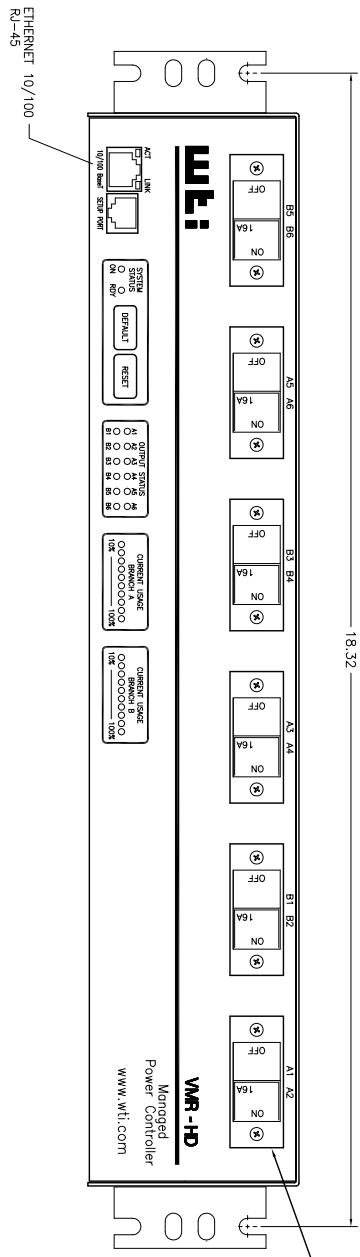


FITS INTO 19" RACK  
18.32"

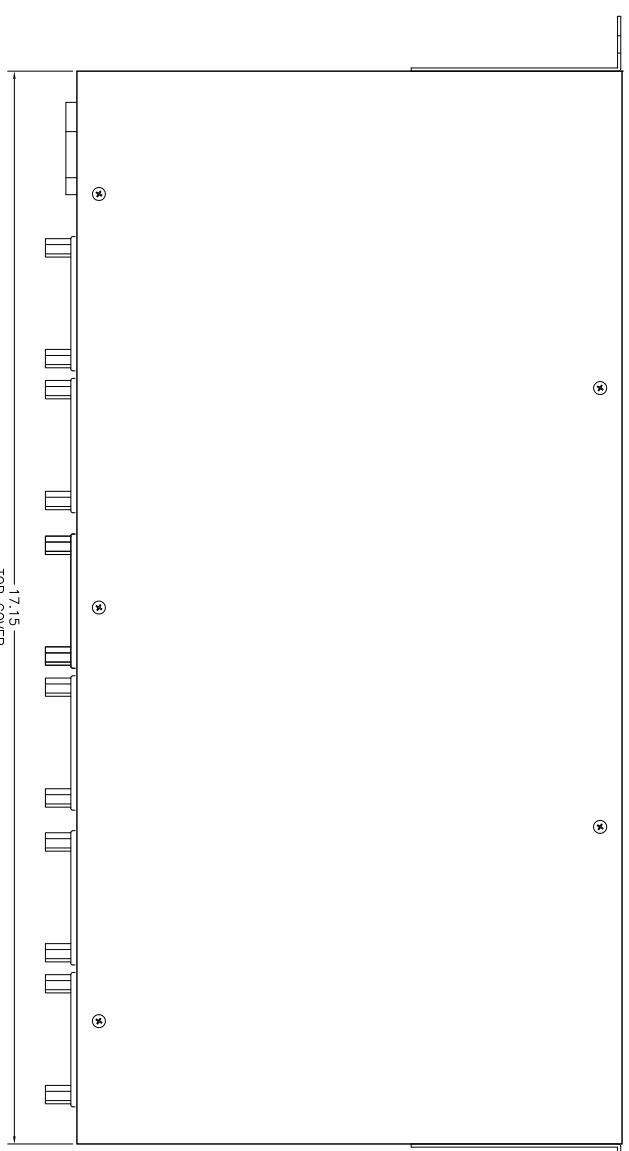
FRONT  
VIEW



CIRCUIT BREAKER (6)  
20A, 2 POLE, UL489

RACK BRACKETS

TOP  
VIEW

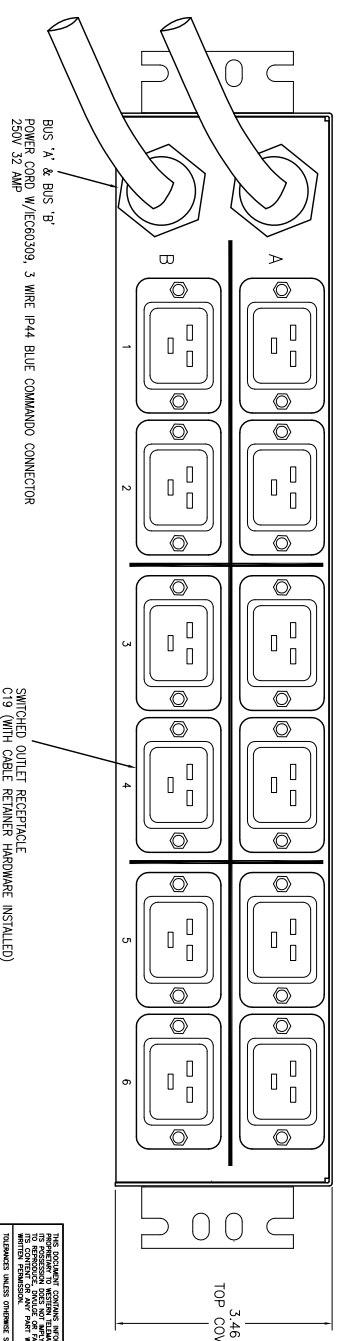


VENTILATION  
SLOTS ON  
EACH  
SIDE

8.70  
TOP COVER

3.46  
TOP COVER

BACK  
VIEW



BUS 'A' & BUS 'B'  
POWER CORD W/IEC60309, 3 WIRE IP44 BLUE COMMANDO CONNECTOR  
250V 32 AMP

SWITCHED OUTLET RECEPTACLE  
C19 (WITH CABLE RETAINER HARDWARE INSTALLED)

3.46  
TOP COVER

THIS DOCUMENT CONTAINS INFORMATION  
PROPERTY OF WESTERN TELEMETRIC INC.  
IT IS TO BE USED ONLY FOR THE PROJECT  
FOR WHICH IT WAS PREPARED. IT IS NOT  
TO BE REPRODUCED, COPIED, OR  
DISTRIBUTED IN ANY MANNER WITHOUT  
THE WRITTEN PERMISSION OF WESTERN  
TELEMETRIC INC. OR ITS AFFILIATES.  
DATE: 08/08/08  
DRAWING NO: 1124  
REVISION: 1  
CONTRACT NO: 1410

		<b>western telemetric inc.</b> 4800 West 11th Ave. #200 Denver, CO 80202							
TITLE	Dimensional Drawing	DWG No.	VWR-HD4D32-12B						
DATE	08/08/08	REV	A						
DESIGNER	08/08/08	<table border="1"> <tr> <th>REV</th> <th>DATE</th> <th>DESCRIPTION</th> </tr> <tr> <td>A</td> <td>08/08/08</td> <td>INITIAL DESIGN</td> </tr> </table>		REV	DATE	DESCRIPTION	A	08/08/08	INITIAL DESIGN
REV	DATE	DESCRIPTION							
A	08/08/08	INITIAL DESIGN							
ENGINEER	08/08/08	<table border="1"> <tr> <th>REV</th> <th>DATE</th> <th>DESCRIPTION</th> </tr> <tr> <td>A</td> <td>08/08/08</td> <td>INITIAL DESIGN</td> </tr> </table>		REV	DATE	DESCRIPTION	A	08/08/08	INITIAL DESIGN
REV	DATE	DESCRIPTION							
A	08/08/08	INITIAL DESIGN							
CHECKED	08/08/08	<table border="1"> <tr> <th>REV</th> <th>DATE</th> <th>DESCRIPTION</th> </tr> <tr> <td>A</td> <td>08/08/08</td> <td>INITIAL DESIGN</td> </tr> </table>		REV	DATE	DESCRIPTION	A	08/08/08	INITIAL DESIGN
REV	DATE	DESCRIPTION							
A	08/08/08	INITIAL DESIGN							
APPROVED	08/08/08	<table border="1"> <tr> <th>REV</th> <th>DATE</th> <th>DESCRIPTION</th> </tr> <tr> <td>A</td> <td>08/08/08</td> <td>INITIAL DESIGN</td> </tr> </table>		REV	DATE	DESCRIPTION	A	08/08/08	INITIAL DESIGN
REV	DATE	DESCRIPTION							
A	08/08/08	INITIAL DESIGN							