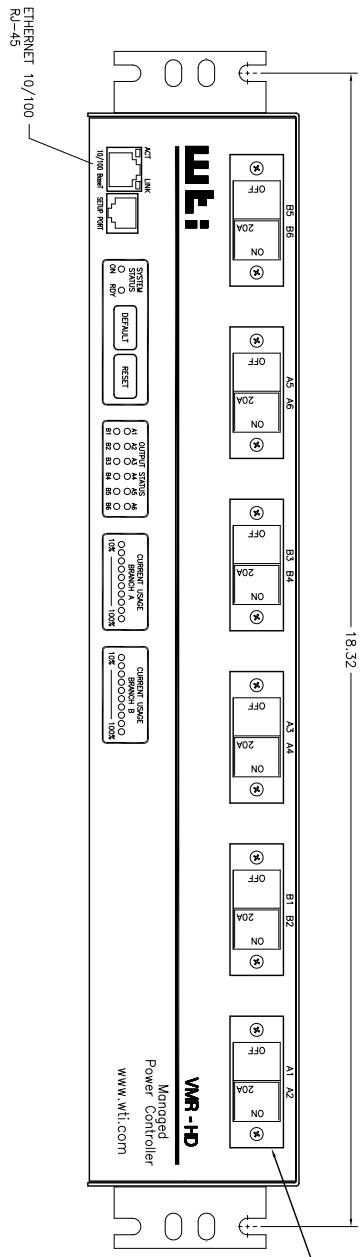


FITS INTO 19" RACK
18.32"

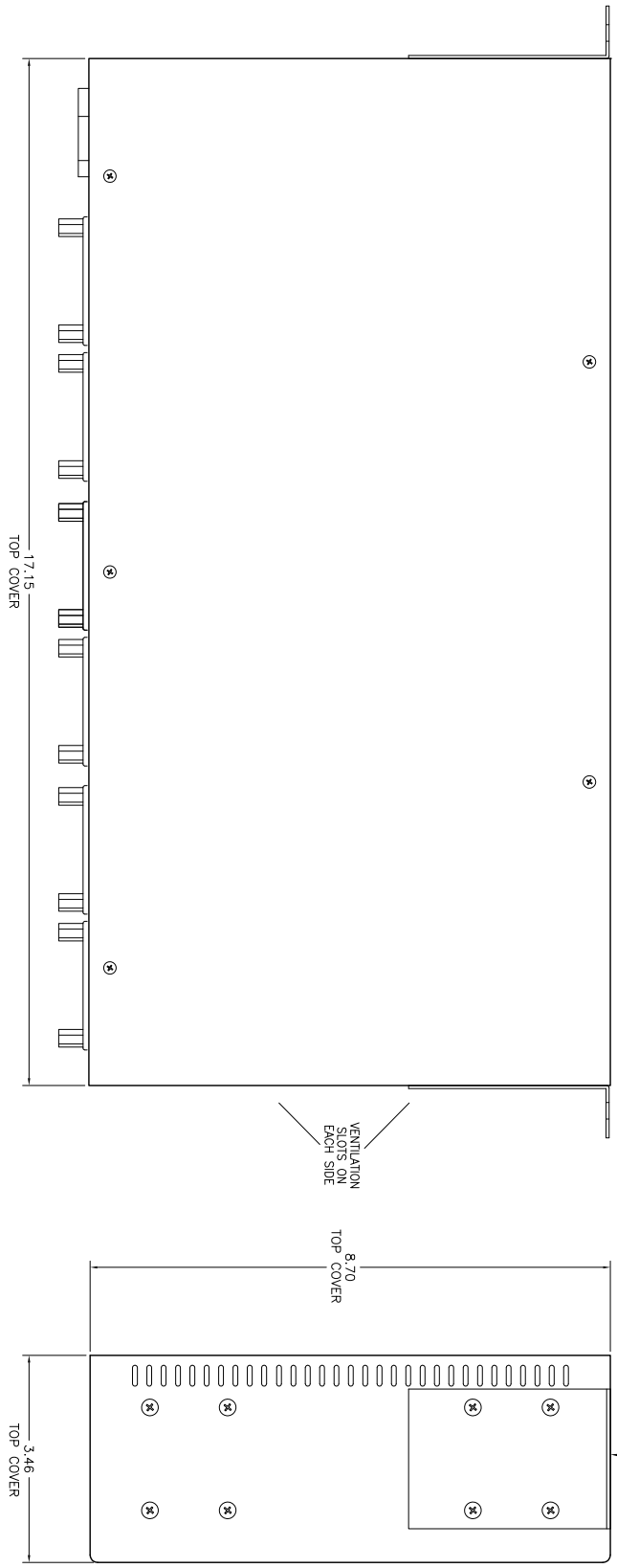
FRONT
VIEW



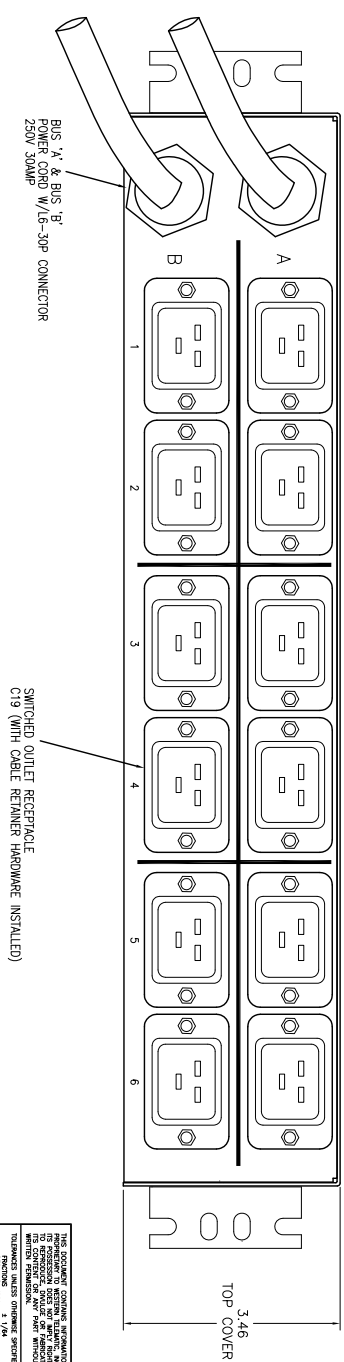
CIRCUIT BREAKER (6)
20A, 2 POLE, UL489

RACK BRACKETS

TOP
VIEW



BACK
VIEW



<p>THIS DOCUMENT CONTAINS INFORMATION PROPRIETARY TO WESTERN TELEMETRIC INC. TO THE EXTENT THAT IT RELATES TO THE COMPANY'S TRADE SECRETS AND/OR UNPUBLISHED INFORMATION. ANY DISCLOSURE OR REPRODUCTION OF THIS INFORMATION WITHOUT THE WRITTEN PERMISSION OF WESTERN TELEMETRIC INC. IS STRICTLY PROHIBITED.</p>	
DATE	1/14/20
DESIGNED BY	1/14/20
DRAWN BY	1/14/20
CHECKED BY	1/14/20
APPROVED BY	1/14/20
SCALE	1:1
<p>western telemetric inc. 4800 West 12th Ave. Denver, CO 80202</p>	
TITLE	Dimensional Drawing
DWG No.	VMR-HD4P30-12B
REV	A
ISSUED	1/14/20
DATE	1/14/20
ENG.	
CHK'D	
BY	
FINISH	
MATERIAL	