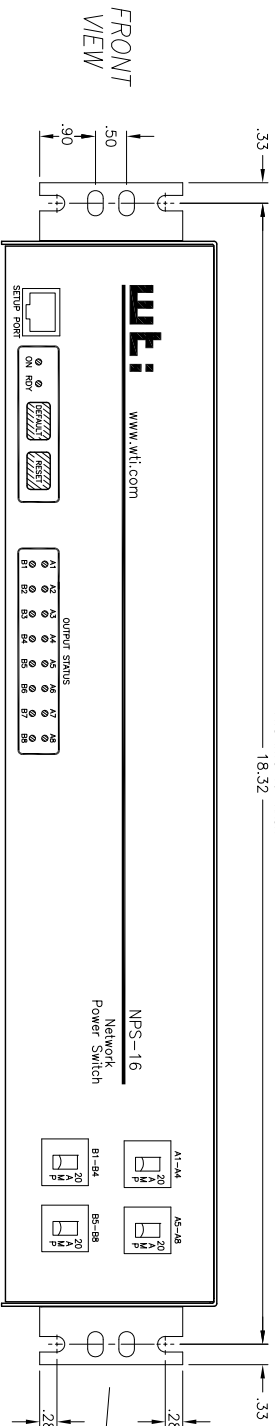
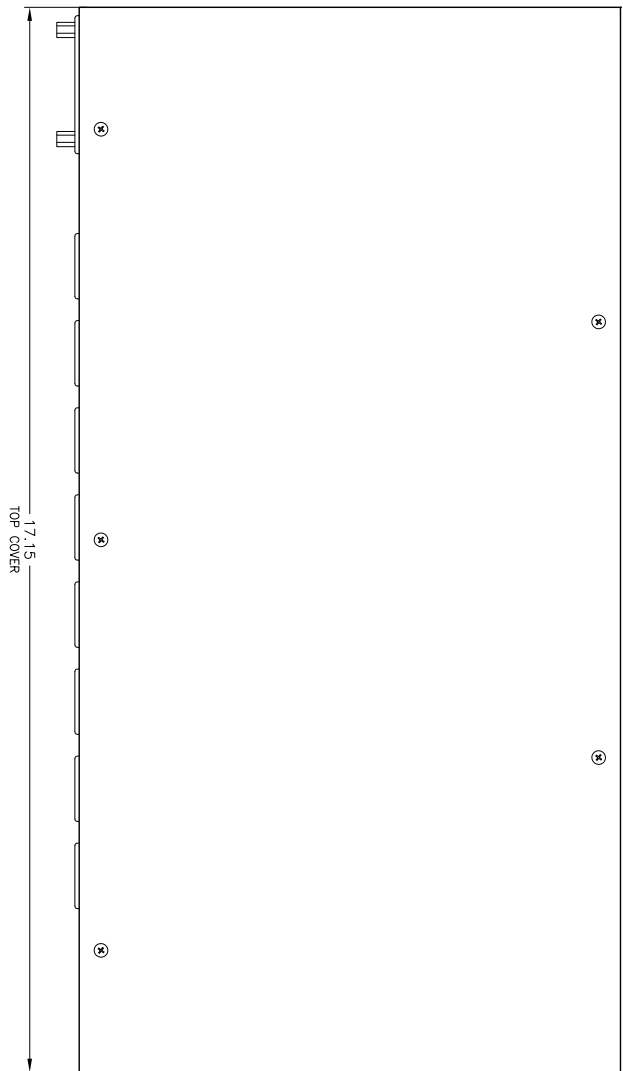


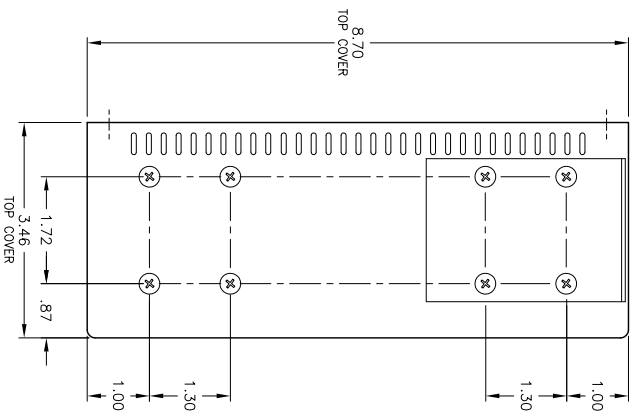
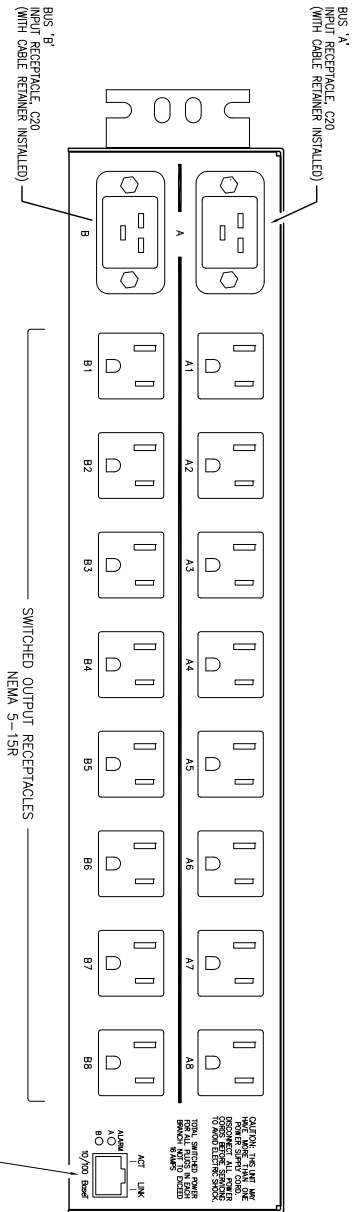
FITS INTO 19" RACK
18.32



TOP VIEW



BACK VIEW



<p>THIS DRAWING IS THE PROPERTY OF WESTERN TELEMETRIC INC. IT IS TO BE USED ONLY FOR THE PROJECT AND SITE SPECIFICALLY IDENTIFIED HEREIN. IT IS NOT TO BE REPRODUCED, COPIED, OR TRANSMITTED IN ANY FORM OR BY ANY MEANS, ELECTRONIC OR MECHANICAL, INCLUDING PHOTOCOPYING, RECORDING, OR BY ANY INFORMATION STORAGE AND RETRIEVAL SYSTEM, WITHOUT THE WRITTEN PERMISSION OF WESTERN TELEMETRIC INC.</p> <p>TOLERANCES UNLESS OTHERWISE SPECIFIED: DIMENSIONS: .0005 - .0010 ANGLES: .0010 FINISH: .0010 SCALE: 1:1</p>		<p>DATE ISSUED: 1/27/11</p> <p>DATE ISSUED: 1/27/11</p> <p>DATE ISSUED: 1/27/11</p>	<p>DESIGNER: [Blank]</p> <p>ENGINEER: [Blank]</p> <p>FINISH: [Blank]</p>
<p>TITLE: DIMENSIONAL DRAWING</p> <p>PROJECT: NPS-16HD20-1</p>		<p>DATE ISSUED: 1/27/11</p> <p>DATE ISSUED: 1/27/11</p> <p>DATE ISSUED: 1/27/11</p>	<p>DESIGNER: [Blank]</p> <p>ENGINEER: [Blank]</p> <p>FINISH: [Blank]</p>
<p>WESTERN TELEMETRIC INC.</p> <p>6 Santa Fe Ave. Santa Fe, NM 87505</p>		<p>DATE ISSUED: 1/27/11</p> <p>DATE ISSUED: 1/27/11</p> <p>DATE ISSUED: 1/27/11</p>	<p>DESIGNER: [Blank]</p> <p>ENGINEER: [Blank]</p> <p>FINISH: [Blank]</p>
<p>SCALE: 1:1</p>		<p>DATE ISSUED: 1/27/11</p> <p>DATE ISSUED: 1/27/11</p> <p>DATE ISSUED: 1/27/11</p>	<p>DESIGNER: [Blank]</p> <p>ENGINEER: [Blank]</p> <p>FINISH: [Blank]</p>
<p>SCALE: 1:1</p>		<p>DATE ISSUED: 1/27/11</p> <p>DATE ISSUED: 1/27/11</p> <p>DATE ISSUED: 1/27/11</p>	<p>DESIGNER: [Blank]</p> <p>ENGINEER: [Blank]</p> <p>FINISH: [Blank]</p>