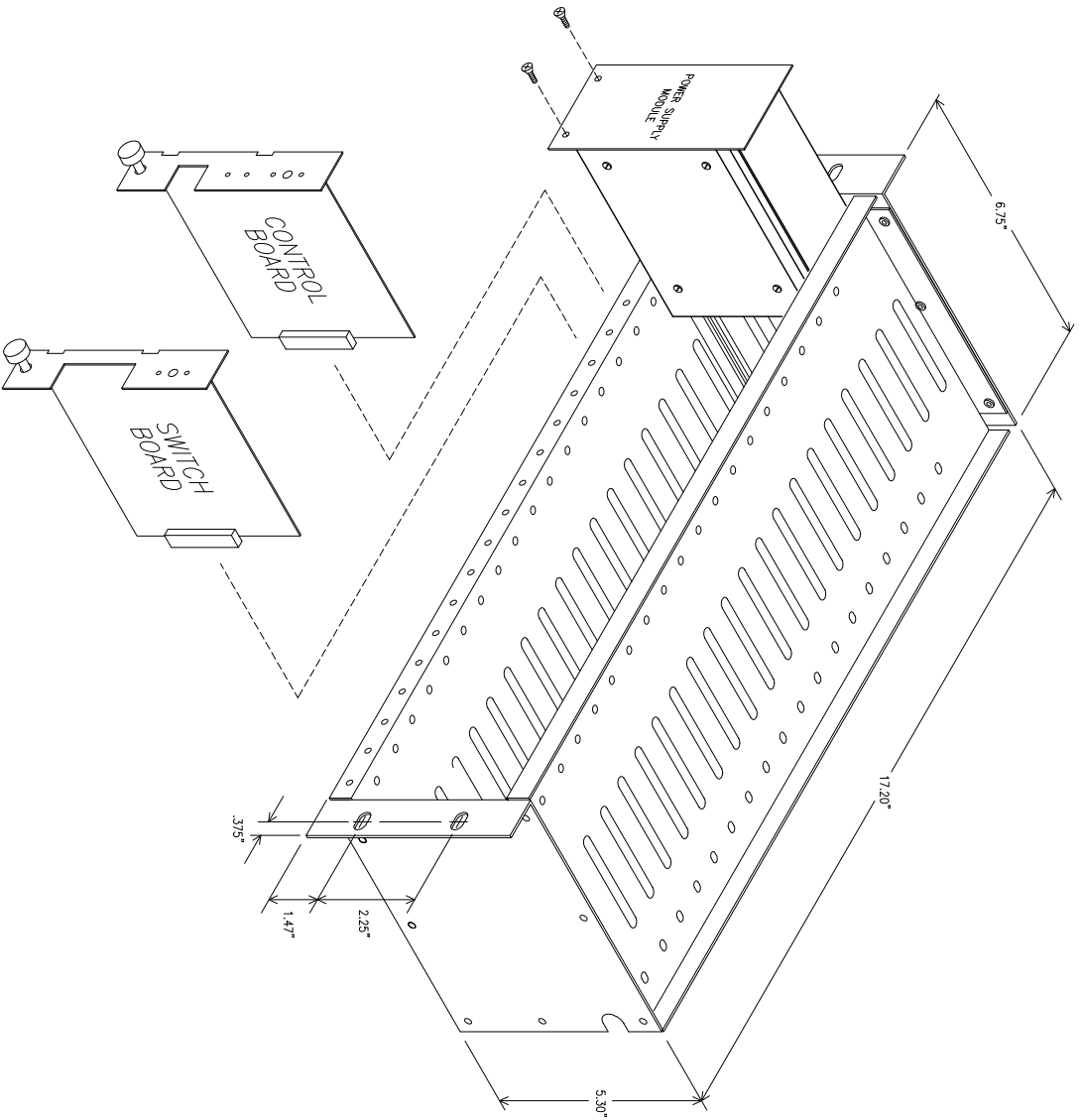
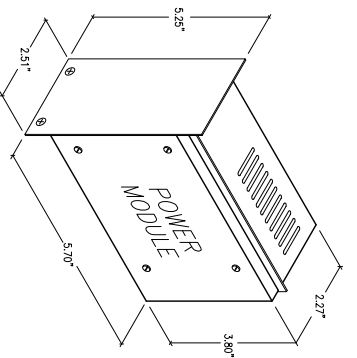


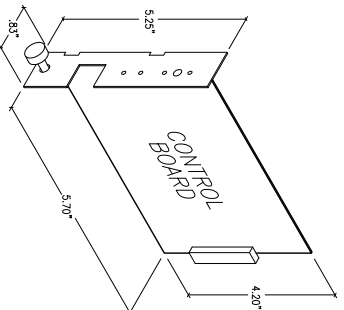
# FITS INTO STANDARD 19" RACK



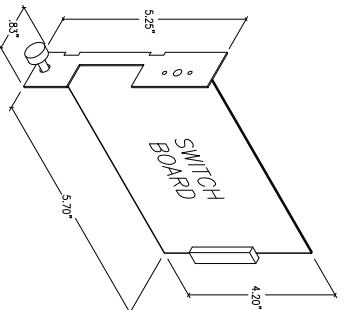
Power Module Dimensions:  
 Module Enclosure: 3.60 x 2.27 x 5.70  
 Face Plate: 3.25 x 2.51  
 Circuit Board: 4.20 x 5.70



Circuit Module Dimensions:  
 Circuit Board: 4.20 x 5.70 x D  
 Face Plate: 5.25 x .631 x W



A/B Switch Module Dimensions:  
 Circuit Board: 4.20 x 5.70 x D  
 Face Plate: 5.25 x .631 x W



THIS DOCUMENT CONTAINS INFORMATION PROPRIETARY TO WESTERN TELEMETRIC, INC. IT IS TO BE KEPT CONFIDENTIAL AND NOT TO BE REPRODUCED, COPIED, OR PARAPHRASED WITHOUT WRITTEN PERMISSION.

TOLERANCES UNLESS OTHERWISE SPECIFIED:  
 FINISHES: .0005  
 DIMENSIONS: .0005  
 ANGLES: .010

<p><b>western telematic inc.</b>                  5 shawnee drive, ca. 92318</p>	DRAWN: 2/25/70 CHK'D: ENG:	MATERIAL: BR FINISH:
	DATE ISSUED: NEXT ASSEMBLY:	DWG. NO.: AFS-16R REV: A
TITLE: DIMENSIONAL DRAWING AFS-16R		